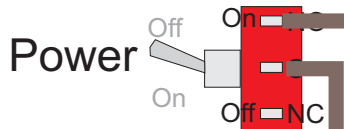


**BOARD 2 - COMPONENT SIDE VIEW**

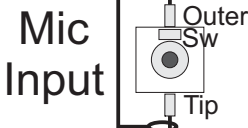
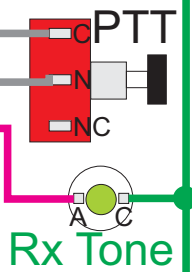


+12 Volt DC In  
12 Volt Return

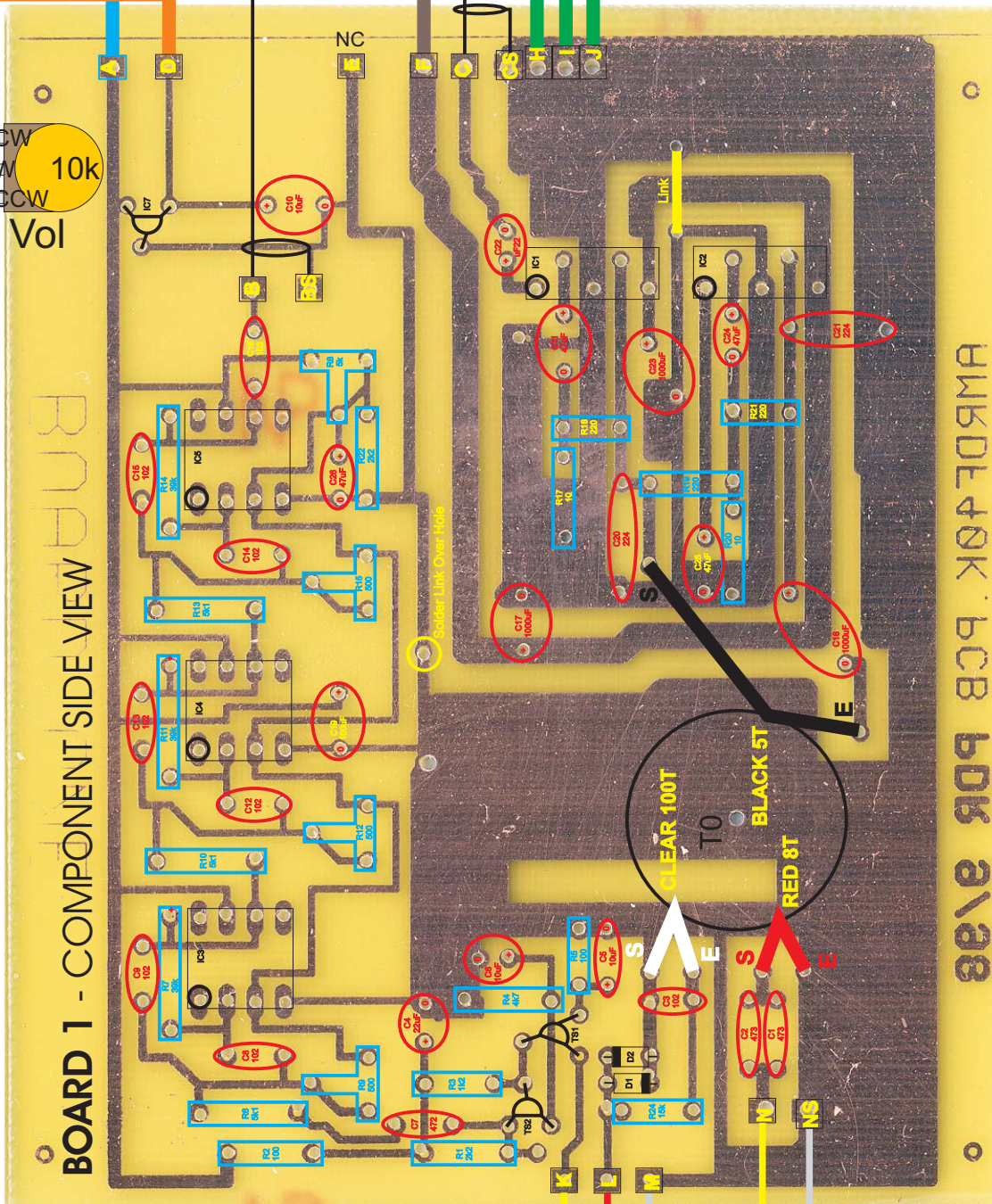
Tone On  
C  
NO  
NC  
C  
NO  
NC  
Tone Off

Rx Mode +12V

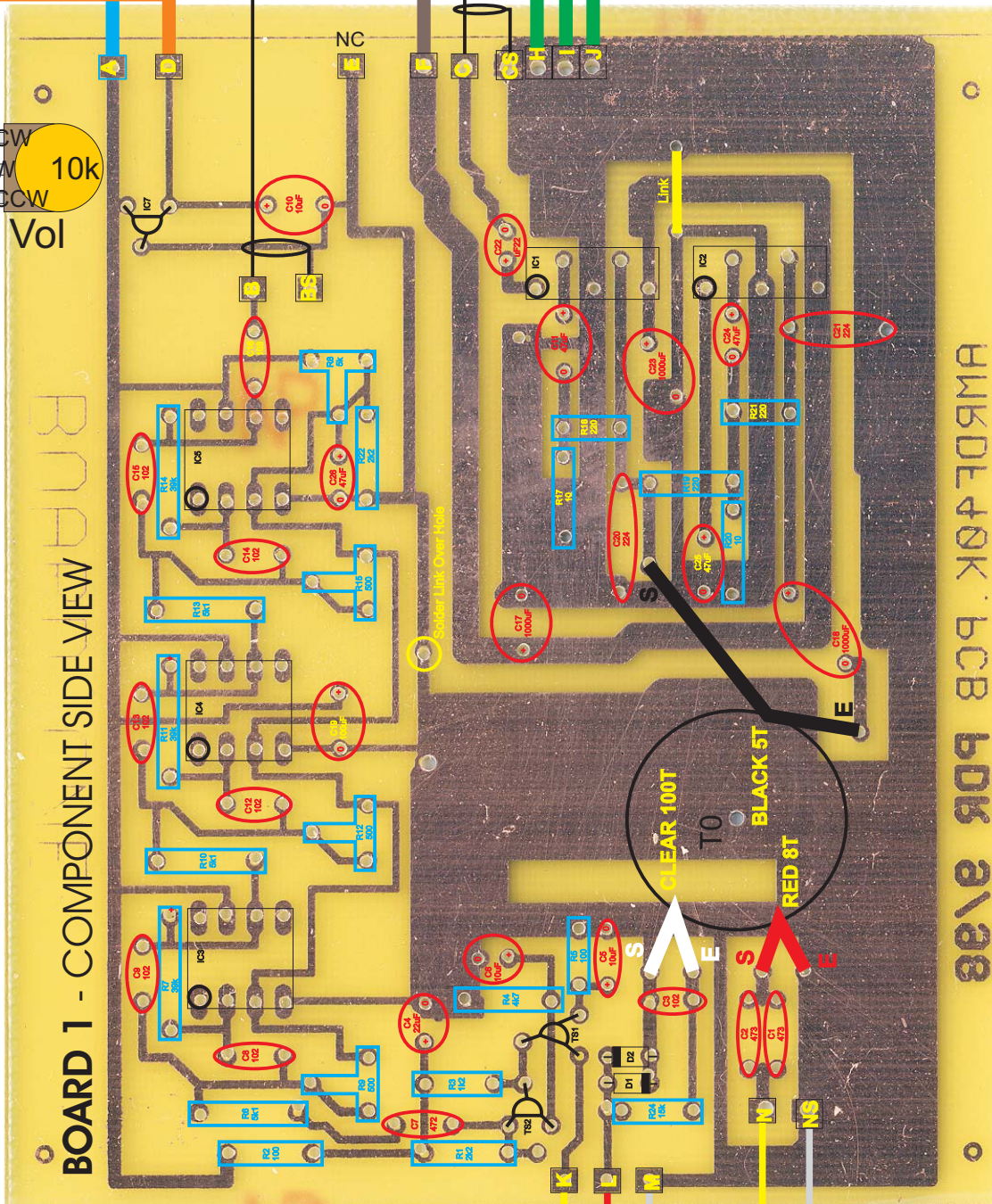
Tx Mode +12V



**BOARD 3 - COMPONENT SIDE VIEW**

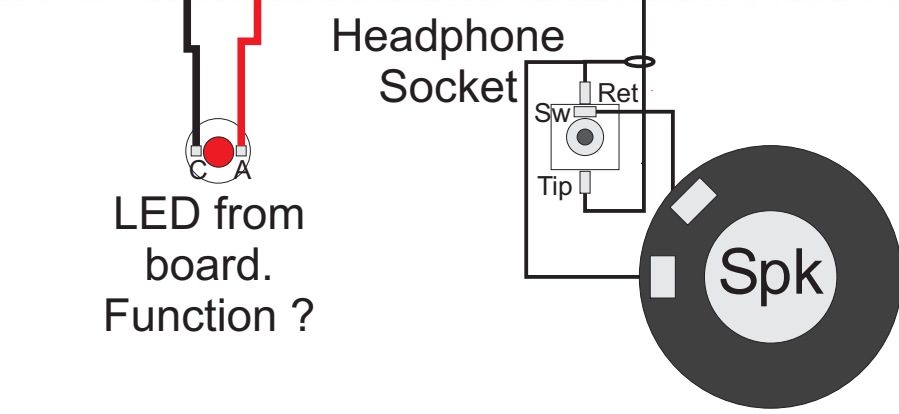


**BOARD 1 - COMPONENT SIDE VIEW**



Last Edit 23/03/2008

**BOARD THREE**



LED from board.  
Function ?

