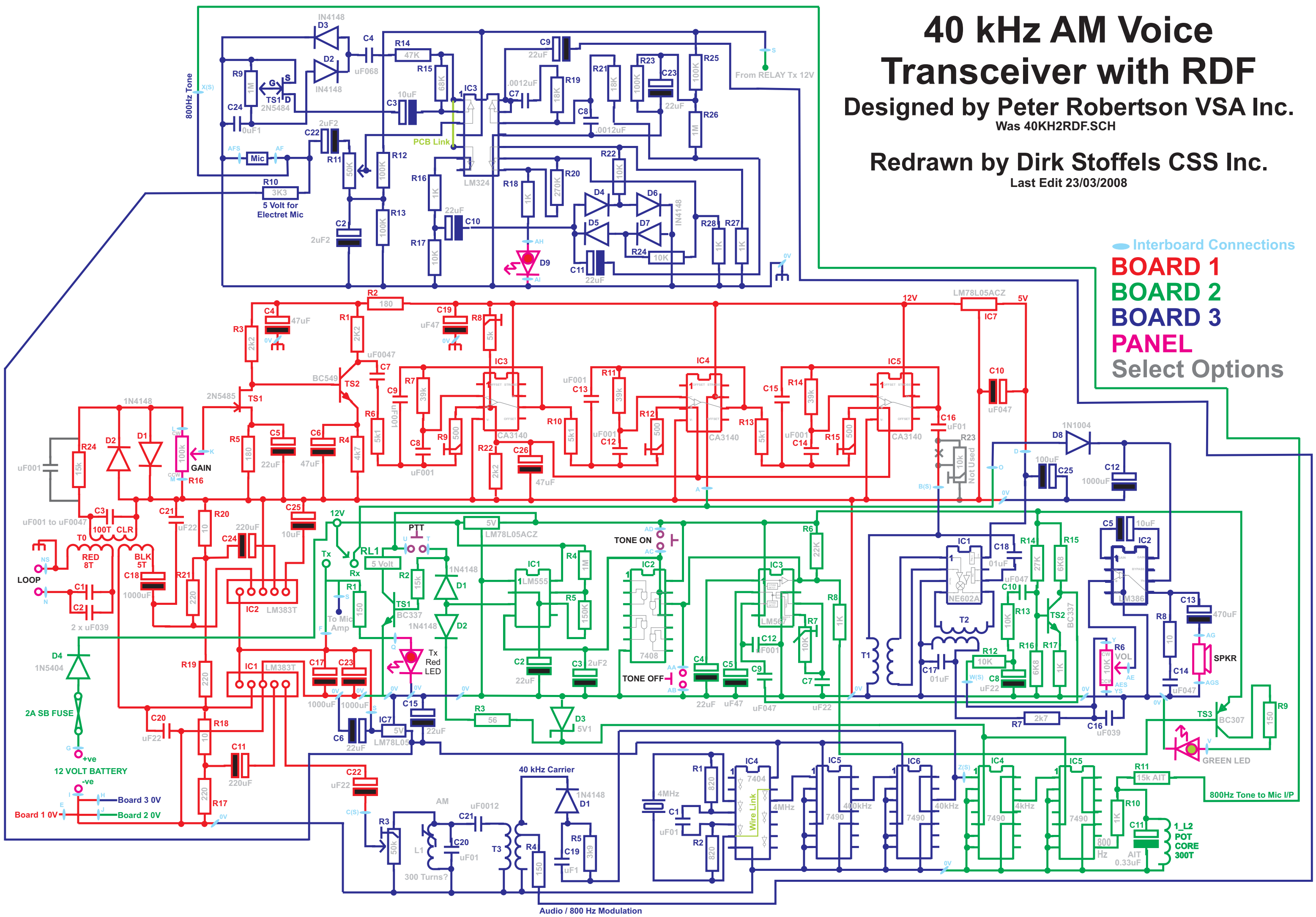


40 kHz AM Voice Transceiver with RDF

Designed by Peter Robertson VSA Inc.
Was 40KH2RDF.SCH

Redrawn by Dirk Stoffels CSS Inc.
Last Edit 23/03/2008

Interboard Connections
BOARD 1
BOARD 2
BOARD 3
PANEL
 Select Options



Audio / 800 Hz Modulation