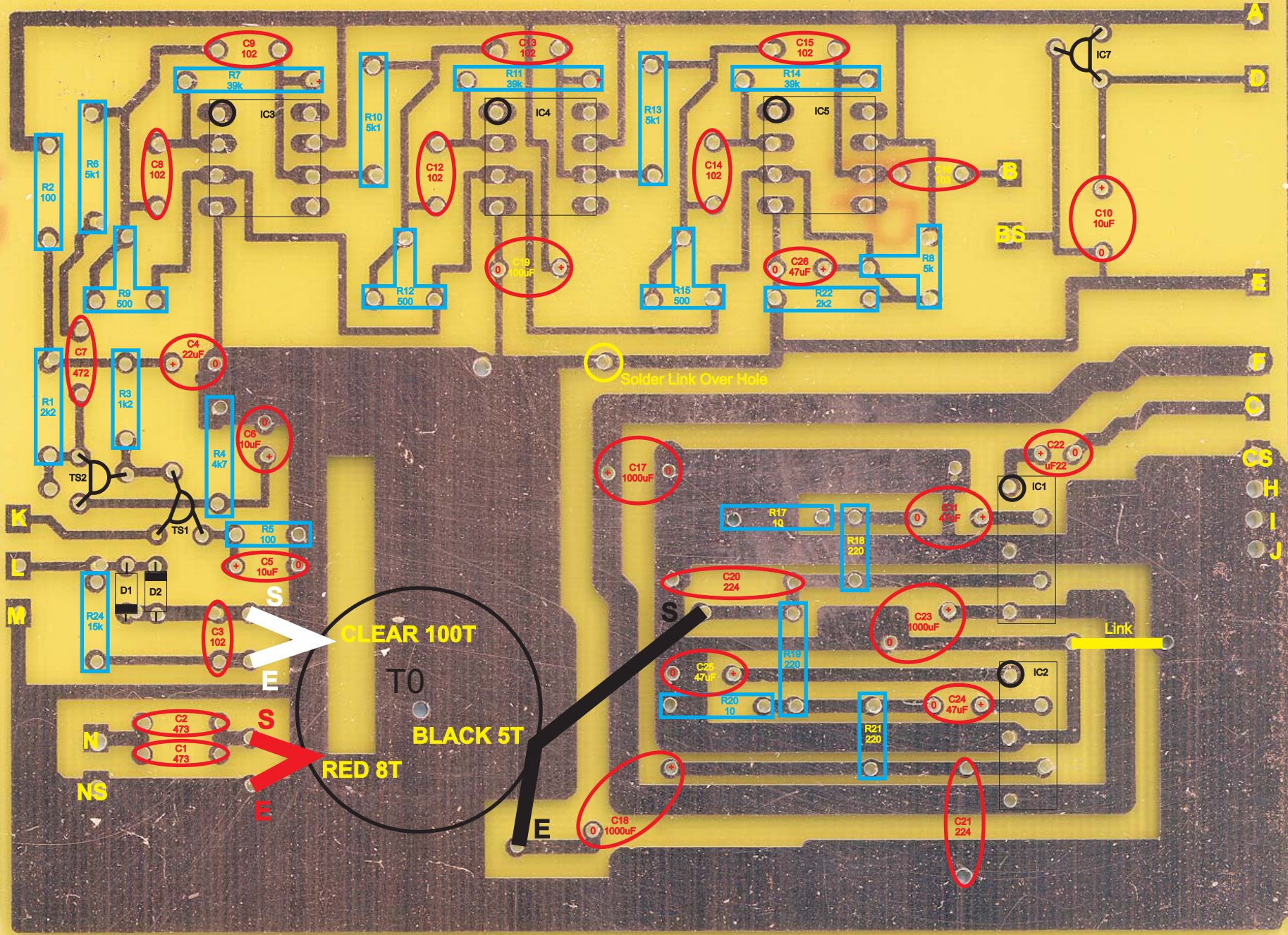


BOARD 1 - COMPONENT SIDE VIEW

R16 100k GAIN POT



AMRODF40K.PCB POR 2/88